

BLA ETECH PVT. LTD.
EMC, EMI FILTER & POWER SOLUTION

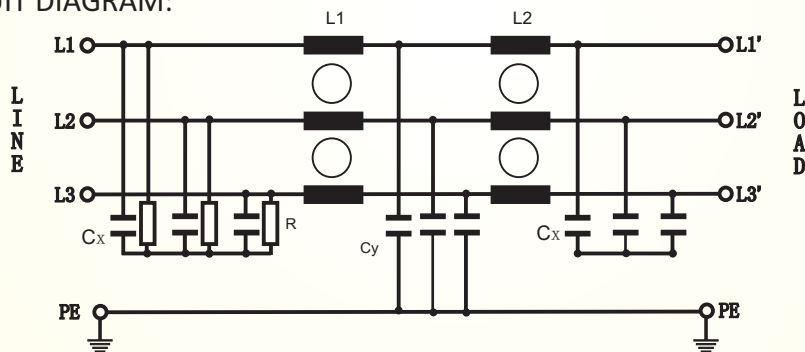
Three-Phase Filters BLAF300-XXX-T

Filter For Motor Drives With High Performance



- 4 to 50A current ratings
- compact size
- insulated safety input terminals
- wire outputs

CIRCUIT DIAGRAM:



Technical Specification

Max Rated Voltage 3x 440VAC
Operating Frequency DC to 50/60Hz
Rated Current 4A to 50A @40°C
High Voltage Test -

L-L 2100VDC 2sec
L-G 3000VDC 2sec

Temperature Range -25 to +100°C

Applications:

- Power Control Equipment for Power Distribution Lines
- Industrial Equipment Vulnerable to Transients on the AC Power Line (Computers, Traffic Controls, Motor Controllers, Etc.)
- Communications systems and other heavy-duty industrial systems,
- Ideal for application where computers are used to process secret or confidential information
- For the purpose of protecting against electrical surges and spikes, including those caused by lightning.
- Designed for frequency inverter and variable speed motor drives
- For small to medium sized industrial equipment, power converter and variable speed motor

Features:

- Very high attenuation
- Low leakage current
- Designed for universal applications

Benefits:

- Eliminates Dangerous Voltage Transients.
- Lowers Overall System Costs by Reducing Downtime and Maintenance Costs.
- Improves Component and System Reliability.
- Reduces EMP/RFI Interference.

FILTERS SELECTION TABLE

SN	PART NO	RATED CURRENT @40°C A	LEAKAGE CURRENT 250V/50Hz mA	MECHANICAL DIMENSION L X W X H (mm)	CONNECTIO N TYPE
1	BLAF300004T	4	0.50	145 X 75 X 40	Wire/16AWG
2	BLAF300008T	8	0.50	145 X 75 X 40	Wire/16AWG
3	BLAF300016T	16	0.50	180 X 115 X 60	Wire/14AWG
4	BLAF300025T	25	0.50	180 X 115 X 60	Wire/14AWG
5	BLAF300036T	36	0.73	180 X 115 X 80	Wire/8AWG
6	BLAF300050T	50	0.73	180 X 115 X 80	Wire/8AWG

Large range of power ratings allow to select convenient filter selection

BLAF300-XXX-T Filters provide a very high common and differential mode attenuation

Insulated, high quality safety terminals for input and output contribute over all equipment safety

Suitable to meet the latest EMC standards

Excellent performance for application with high interference level

Remark

**** Input and output connection available in Terminal and wire type**

***** Wire size also available as per customer requirement**

INSERTION LOSS(dB)

4A

MHZ	0.1	0.5	1	5	10
CM	94	82	63	44	29
DM	85	75	61	44	30

8A

MHZ	0.1	0.5	1	5	10
CM	91	79	64	45	27
DM	78	72	60	45	31

16A

MHZ	0.1	.0.5	1	5	10
CM	68	95	74	57	41
DM	66	80	67	55	38

25A

MHZ	0.1	0.5	1	5	10
CM	61	92	78	59	42
DM	60	83	68	55	39

36A

MHZ	0.1	0.5	1	5	10
CM	90	73	52	43	29
DM	76	63	48	31	11

50A

MHZ	0.1	0.5	1	5	10
CM	91	74	56	40	30
DM	78	62	49	32	14

CORPORATE OFFICE AND MANUFACTURING UNIT

**BLA ETECH PVT LTD
A-42
WAZIRPUR INDUSTRIAL AREA
NEW DELHI-110052
INDIA**



CONTACT DETAIL

**WEB- www.blaetech.com
Email- info@blaetech.com
TEL- +91-11-47483290
Mob-+91-9899197050**