

# BLA ETECH PVT. LTD.

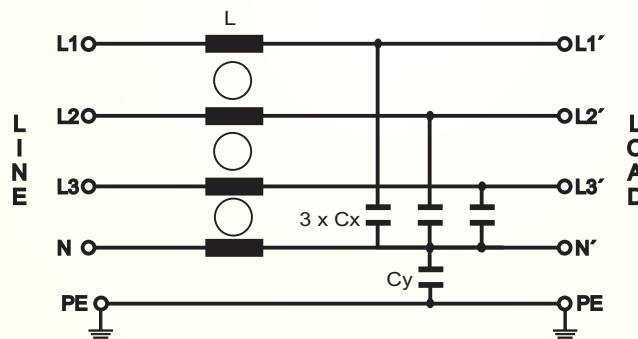
EMC, EMI FILTER & POWER SOLUTION

## Three-Phase+Neutral Line Filters BLAF400-XXX-F

Compact size with exceptional low operating leakage current



CIRCUIT DIAGRAM:



### Technical Specification

Max Rated Voltage 3X 480VAC, 50/60Hz

Operating Frequency DC to 400 Hz

Rated Current 3A to 20A @40°C

High Voltage Test -

L-L 2000VDC 2sec

L-G 3000VDC 2sec

Temperature Range -25 to +85°C

- 3 to 20A current ratings
- compact size
- Exceptional low leakages current
- Suitable for star and delta power network

### Applications:

- Office equipment ,Medical equipment
- General purpose four wire filtering
- Communications systems and other heavy-duty industrial systems,
- Ideal for application where computers are used to process secret or confidential information
- For the purpose of protecting against electrical surges and spikes, including those caused by lightning.
- For small sized industrial equipment, power converter and variable speed motor

### Features:

- Compact size suitable for tight space condition
- Low leakage current
- Designed for universal applications

### Benefits:

- Eliminates Dangerous Voltage Transients.
- Lowers Overall System Costs by Reducing Downtime and Maintenance Costs.
- Improves Component and System Reliability.
- Reduces EMP/RFI Interference.

# FILTERS SELECTION TABLE

SN	PART NO	RATED CURRENT @40C A	LEAKAGE CURRENT 250V/50Hz mA	MECHANICAL DIMENSION L X W X H (mm)	CONNECTION TYPE
1	BLAF40003F	3	0.07	85 X 51 X 39	FASTON
2	BLAF40006F	6	0.07	85 X 51 X 39	FASTON
3	BLAF40010F	10	0.07	85 X 51 X 39	FASTON
4	BLAF40020F	20	0.29	85 X 51 X 39	FASTON

**Insulated, high quality safety terminals for input and output contribute over all equipment safety**

**Suitable to meet the latest EMC standards**

**Excellent performance for application with high interference level**

**Remark**

**\*\* Faston terminal connector 6.38 x 0.8 mm**

# INSERTION LOSS(dB)

## 3A

MHZ	0.1	0.5	1	5	10
CM	14	26	35	41	30
DM	18	33	47	29	19

## 6A

MHZ	0.1	0.5	1	5	10
CM	9	23	31	38	29
DM	11	29	45	28	17

## 10A

MHZ	0.1	.0.5	1	5	10
CM	4	23	31	39	29
DM	7	32	41	24	11

## 20A

MHZ	0.1	0.5	1	5	10
CM	2	20	27	36	27
DM	5	29	43	21	14

## CORPORATE OFFICE AND MANUFACTURING UNIT

**BLA ETECH PVT LTD  
A-42  
WAZIRPUR INDUSTRIAL AREA  
NEW DELHI-110052  
INDIA**



### CONTACT DETAIL

**WEB- [www.blaetech.com](http://www.blaetech.com)**

**Email- [info@blaetech.com](mailto:info@blaetech.com)**

**TEL- +91-11-47483290**

**Mob-+91-9899197050**