

BLA ETECH PVT. LTD.
EMC, EMI FILTER & POWER SOLUTION

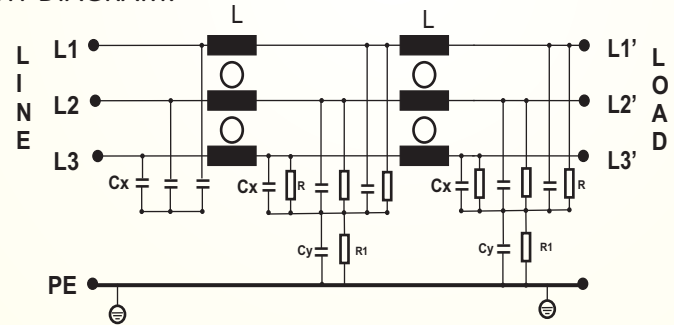
Three-Phase Filters BLASB58-XXX-T

EMC/RFI Filter for Three-Phase Inverter and Power Drive Systems.



- 7 to 250A current ratings
- compact size
- insulated safety input terminals

CIRCUIT DIAGRAM:



Technical Specification

Max Rated Voltage 3 x 480VAC

Operating Frequency DC to 50/60Hz

Rated Current 7A to 250A @50°C

High Voltage Test -

L-L 2100VDC 2sec

L-G 2650VDC 2sec

Temperature Range -25 to +100°C

Applications:

- Power Control Equipment for Power Distribution Lines
- Industrial Equipment Vulnerable to Transients on the AC Power Line (Computers, Traffic Controls, Motor Controllers, Etc.)
- Communications systems and other heavy-duty industrial systems,
- Ideal for application where computers are used to process secret or confidential information
- For the purpose of protecting against electrical surges and spikes, including those caused by lightning.
- Designed for frequency inverter and variable speed motor drives
- For small to medium sized industrial equipment, power converter and variable speed motor.

Features:

- Very high attenuation
- Low leakage current
- Designed for universal applications

Benefits:

- Eliminates Dangerous Voltage Transients.
- Lowers Overall System Costs by Reducing Downtime and Maintenance Costs.
- Improves Component and System Reliability.
- Reduces EMP/RFI Interference.

FILTERS SELECTION TABLE

SN	PART NO	RATED CURRENT @50°C A	LEAKAGE CURRENT 440V/50Hz mA	MECHANICAL DIMENSION L X W X H (mm)	CONNECTION TYPE
1	BLASB58-07-T	7	18.0	255 X 50 X 127	TERMINAL
2	BLASB58-16-T	16	20.0	305 X 55 X 143	TERMINAL
3	BLASB58-30-T	30	26.5	335 X 60 X 151	TERMINAL
4	BLASB58-42-T	42	28.2	329 X 70 X 186	TERMINAL
5	BLASB58-55-T	55	28.2	329 X 80 X 186	TERMINAL
6	BLASB58-75-T	75	28.2	329X 80 X 220	TERMINAL
7	BLASB58-100 -T	100	28.2	381X 91 X 220	TERMINAL
8	BLASB58-130 -T	130	32.8	441X111X240	TERMINAL
9	BLASB58-180 -T	180	32.8	440X111X240	TERMINAL
10	BLASB58-250 -T	250	32.8	480X111X240	TERMINAL

Large range of power ratings allow to select convenient filter selection

BLASB58-XXX-T Filters provide a very high common and differential mode attenuation

Insulated, high quality safety terminals for input and output contribute over all equipment safety

Suitable to meet the latest EMC standards

Excellent performance for application with high interference level

Remark

- ** Input and output connection available in Terminal and wire type
- *** Also available in high voltage as per customer requirement

INSERTION LOSS(dB)

7A

MHZ	0.1	0.5	1	5	10
CM	59	73	75	69	56
DM	29	75	79	79	75

16A

MHZ	0.1	0.5	1	5	10
CM	57	72	76	68	60
DM	30	74	79	78	76

30A

MHZ	0.1	.0.5	1	5	10
CM	60	72	74	70	57
DM	31	76	78	78	74

42A

MHZ	0.1	0.5	1	5	10
CM	60	79	79	78	70
DM	25	75	78	70	62

55A

MHZ	0.1	0.5	1	5	10
CM	62	78	79	78	71
DM	27	74	78	69	60

75A

MHZ	0.1	0.5	1	5	10
CM	61	77	78	79	69
DM	26	74	79	71	63

100A

MHZ	0.1	0.5	1	5	10
CM	59	78	78	77	70
DM	23	73	79	72	64

130A

MHZ	0.1	0.5	1	5	10
CM	45	68	67	50	38
DM	30	70	75	65	60

180A

MHZ	0.1	0.5	1	5	10
CM	31	77	75	60	36
DM	30	76	60	50	42

250A

MHZ	0.1	0.5	1	5	10
CM	32	76	77	62	37
DM	32	75	63	52	45

CORPORATE OFFICE AND MANUFACTURING UNIT

**BLA ETECH PVT LTD
A-42
WAZIRPUR INDUSTRIAL AREA
NEW DELHI-110052
INDIA**



CONTACT DETAIL

WEB- www.blaetech.com

Email- info@blaetech.com

TEL- +91-11-47483290

Mob-+91-9899197050