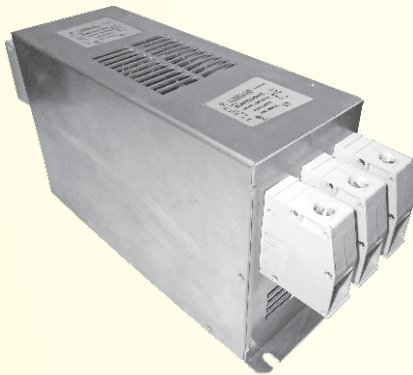


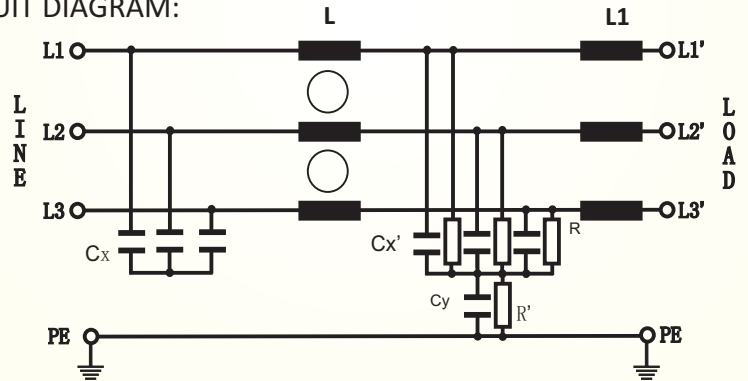
# Three-Phase Filters BLASC258HV-XXX-T

EMC/EMI Filter For Three phase & Motor Drives With exceptional attenuation performance



- 7A to 180A current ratings
- Most compact size
- Insulated safety input terminals
- Exceptional attenuation performance from 150KHz to 30MHz
- Excellent saturation resistance up to 50 meter cable length

CIRCUIT DIAGRAM:



## Technical Specification

Max Rated Voltage 3x 520/300VAC

Operating Frequency DC to 50/60Hz

Rated Current 7A to 180A @50°C

High Voltage Test -

L-L 2100VDC 2sec

L-G 2650VDC 2sec

Temperature Range -25 to +100°C(25/100/21)

## Applications:

- Power Control Equipment for Power Distribution Lines
- Industrial Equipment Vulnerable to Transients on the AC Power Line (Computers, Traffic Controls, Motor Controllers, Etc.)
- Communications systems and other heavy-duty industrial systems,
- Ideal for application where computers are used to process secret or confidential information
- For the purpose of protecting against electrical surges and spikes, including those caused by lightning.
- Designed for frequency inverter and variable speed motor drives
- For small to medium sized industrial equipment, power converter and variable speed motor

## Features:

- Trouble free installation due to ultra compact design of filter
- Solid connector terminals available for the whole range
- Designed for universal applications

## Benefits:

- Eliminates Dangerous Voltage Transients.
- Lowers Overall System Costs by Reducing Downtime and Maintenance Costs.
- Improves Component and System Reliability.
- Reduces EMP/RFI Interference.

# FILTERS SELECTION TABLE

SN	PART NO	RATED CURRENT @50°C A	LEAKAGE CURRENT 400V/50Hz mA	MECHANICAL DIMENSION L X W X H (mm)	CONNECTION TYPE
1	BLASC258HV-07-T	7	33.0	190 X 40 X 70	TERMINAL
2	BLASC258HV-16-T	16	33.0	250 X 45 X 70	TERMINAL
3	BLASC258HV-30-T	30	33.0	270 X 50 X 85	TERMINAL
4	BLASC258HV-42-T	42	33.0	310 X 50 X 85	TERMINAL
5	BLASC258HV-55-T	55	33.0	250 X 85 X 90	TERMINAL
6	BLASC258HV-75-T	75	33.0	270 X 80 X 135	TERMINAL
7	BLASC258HV-100-T	100	33.0	270 X 90 X 150	TERMINAL
8	BLASC258HV-130-T	130	33.0	270 X 90 X 150	TERMINAL
9	BLASC258HV-180-T	180	33.0	380 X 120 X 170	TERMINAL

**Large range of power ratings allow to select convenient filter selection**

**BLASC258HV-XXX-T Filters provide a very high common and differential mode attenuation**

**Insulated, high quality safety terminals for input and output contribute over all equipment safety**

**Suitable to meet the latest EMC standards**

**Excellent performance for application with high interference level**

**Remark**

**\*\* Input and output connection available in Terminal and wire type**

**\*\*\* Wire size also available as per customer requirement**

# INSERTION LOSS(dB)

## 7A

MHZ	0.1	1	10
CM	63	76	42
DM	59	69	38

## 16A

MHZ	0.1	1	10
CM	68	75	36
DM	54	71	42

## 30A

MHZ	0.1	1	10
CM	60	78	41
DM	54	71	46

## 42A

MHZ	0.1	1	10
CM	62	79	39
DM	51	73	42

## 55A

MHZ	0.1	1	10
CM	57	69	47
DM	51	61	44

## 75A

MHZ	0.1	1	10
CM	61	71	39
DM	50	65	41

## 100A

MHZ	0.1	1	10
CM	49	68	45
DM	42	59	40

## 130A

MHZ	0.1	1	10
CM	47	68	38
DM	41	64	39

## 180A

MHZ	0.1	1	10
CM	44	72	35
DM	32	63	37

## CORPORATE OFFICE AND MANUFACTURING UNIT

**BLA ETECH PVT LTD  
A-42  
WAZIRPUR INDUSTRIAL AREA  
NEW DELHI-110052  
INDIA**



### CONTACT DETAIL

**WEB- [www.blaetech.com](http://www.blaetech.com)  
Email- [info@blaetech.com](mailto:info@blaetech.com)  
TEL- +91-11-47483290  
Mob-+91-9899197050**