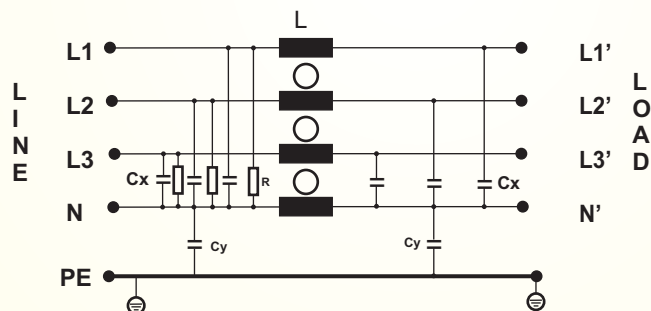


Three-Phase+ Neutral Filters BLASC56-XXX-T

Three phase+Neutral Filter for general purpose equipment



CIRCUIT DIAGRAM:



- 16A to 150A current ratings
- Most compact size
- Insulated safety input terminals
- Increase the immunity if operator directly on main input
- Overload capability up to 4x of rated current at switch on
-

Technical Specification

Max Rated Voltage 3x 440/250 VAC
 Operating Frequency DC to 50/60Hz
 Rated Current 16A to 150A @50°C
 High Voltage Test -

L-L 1900VDC 2sec
 L-G 2750VDC 2sec

Temperature Range -25 to +100°C(25/100/21)

Applications:

- Power Control Equipment for Power Distribution Lines
- Industrial Equipment Vulnerable to Transients on the AC Power Line (UPS ,Computers, Traffic Controls, Motor Controllers, Etc.)
- Renewable energy application and general power office equipments.
- Ideal for application where computers are used to process secret or confidential information
- For the purpose of protecting against electrical surges and spikes, including those caused by lightning.
- Designed for frequency inverter and variable speed motor drives
- For small to medium sized industrial equipment, power converter and variable speed motor

Features:

- Trouble free instillation due ultra compact design of filter
- Solid connector terminals available for whole range
- Designed for universal applications

Benefits:

- Eliminates Dangerous Voltage Transients.
- Lowers Overall System Costs by Reducing Downtime and Maintenance Costs.
- Improves Component and System Reliability.
- Reduces EMP/RFI Interference.

FILTERS SELECTION TABLE

SN	PART NO	RATED CURRENT @40°C A	LEAKAGE CURRENT 400V/50Hz mA	MECHANICAL DIMENSION L X W X H (mm)	CONNECTION TYPE
1	BLASC56-16-T	16	0.45	149 X 104 X 50	TERMINAL
2	BLASC56-25-T	25	0.45	140 X105 X 80	TERMINAL
3	BLASC56-36-T	36	0.45	140 X 105 X 80	TERMINAL
4	BLASC56-50-T	50	0.45	143 X 122 X 102	TERMINAL
5	BLASC56-100-T	100	1.50	250 X 160 X 130	TERMINAL
6	BLASC56-150-T	150	8.00	340 X 160 X 130	TERMINAL

Large range of power ratings allow to select convenient filter selection

BLASC56-XXX-T Filters provide a very high common and differential mode attenuation

Insulated, high quality safety terminals for input and output contribute over all equipment safety

Suitable to meet the latest EMC standards

Excellent performance for application with high interference level

Remark

**** Input and output connection available in Terminal**

INSERTION LOSS(dB)

16A

MHZ	0.1	1	10
CM	36	47	55
DM	31	49	41

36A

MHZ	0.1	1	10
CM	34	58	54
DM	34	60	41

100A

MHZ	0.1	1	10
CM	36	69	41
DM	33	55	39

25A

MHZ	0.1	1	10
CM	32	48	50
DM	29	48	39

50A

MHZ	0.1	1	10
CM	35	54	59
DM	31	51	31

150A

MHZ	0.1	1	10
CM	37	65	44
DM	31	49	38

CORPORATE OFFICE AND MANUFACTURING UNIT

**BLA ETECH PVT LTD
A-42
WAZIRPUR INDUSTRIAL AREA
NEW DELHI-110052
INDIA**



CONTACT DETAIL

WEB- www.blaetech.com

Email- info@blaetech.com

TEL- +91-11-47483290

Mob-+91-9899197050